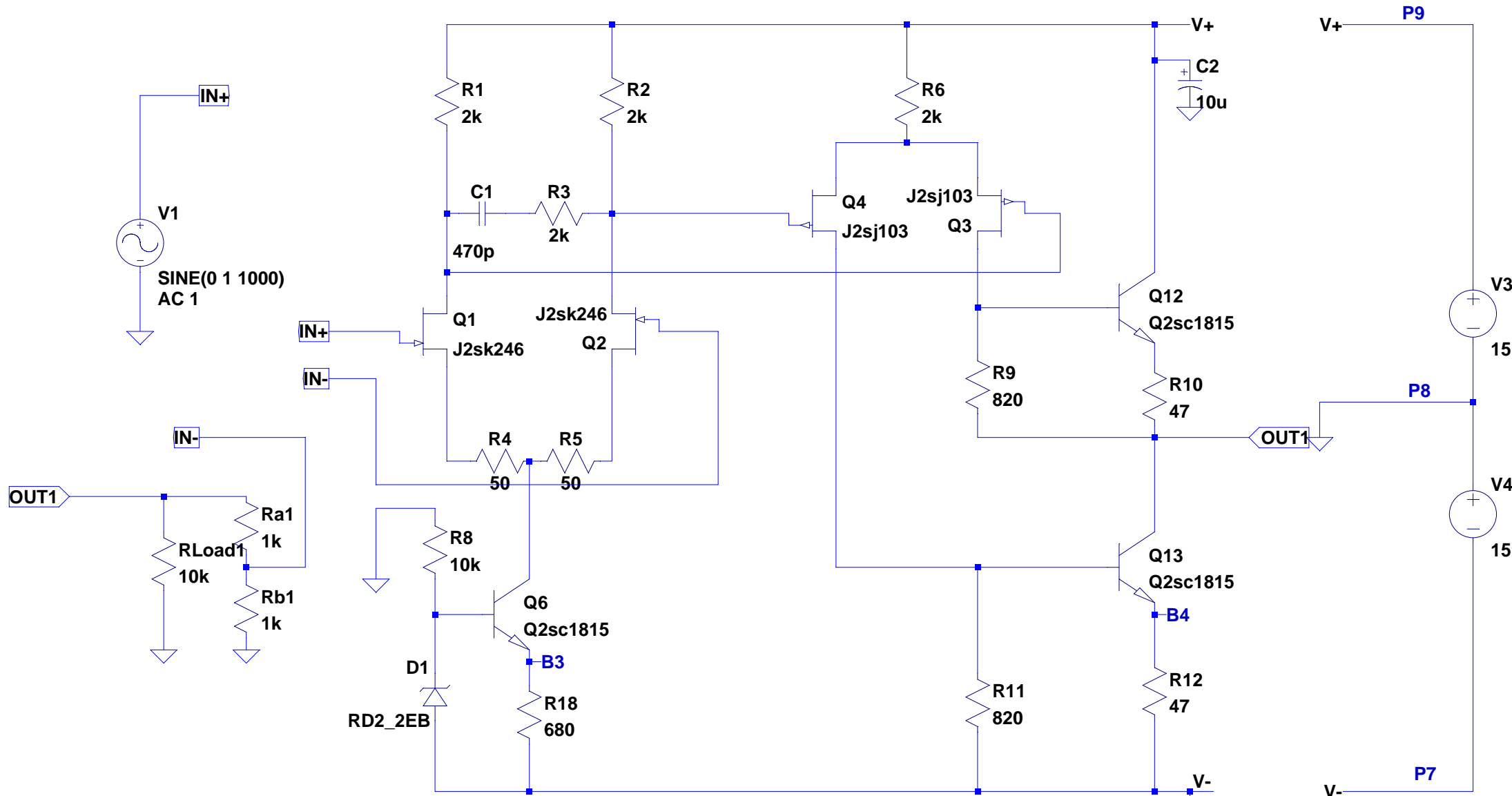


;tran 0 0.01 0 200



```

.tran 0 {a} 0 {b} .param a=100m b=a/65536
;ac oct 20 100 100000 .four 1kHz V(out1)
;op .option plotwinsize=0

```

Discrete OP Amplifier A-7