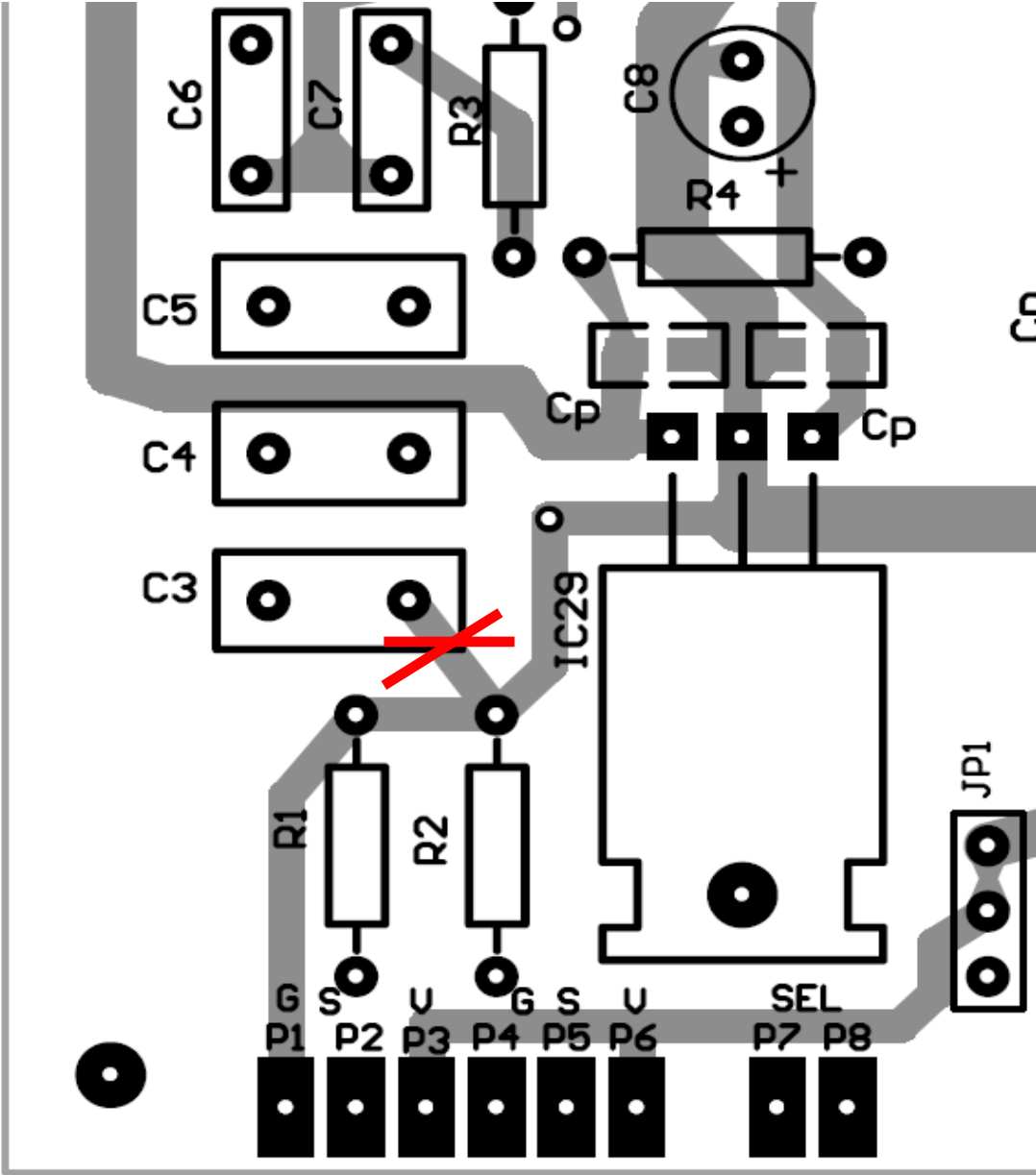
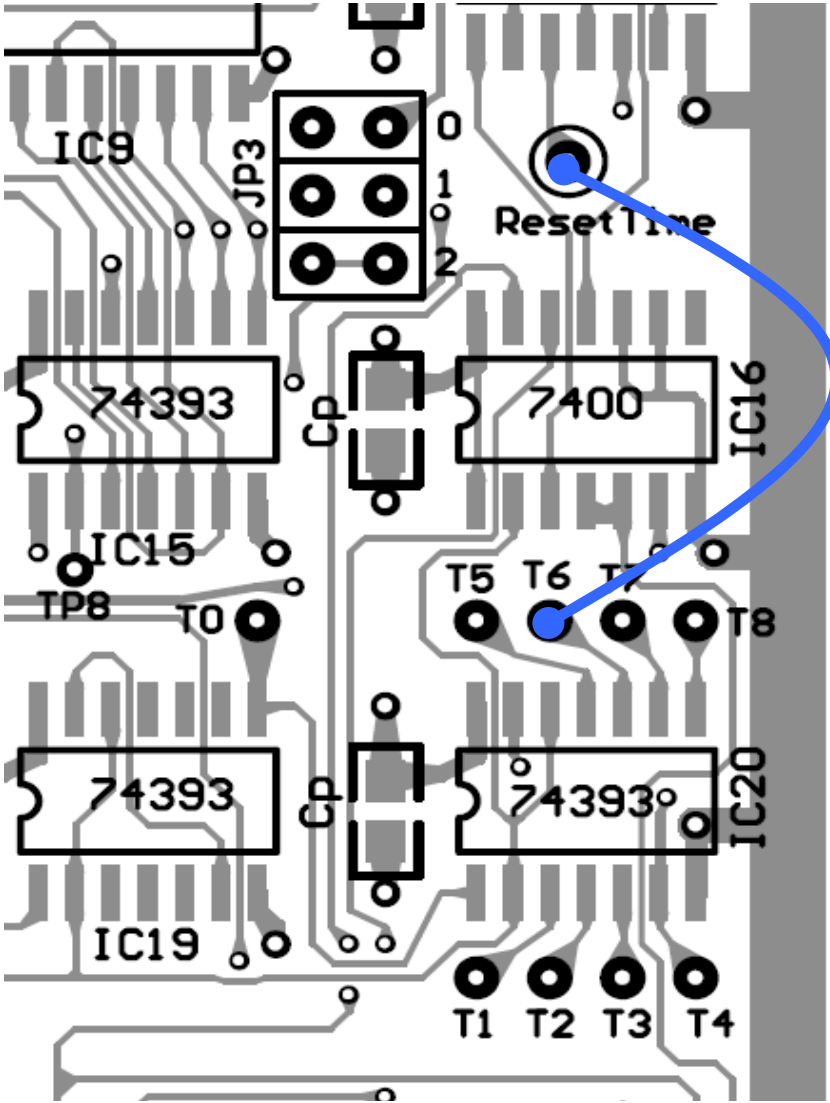


Version 1
Main Board
TOP LAYER

CUT 

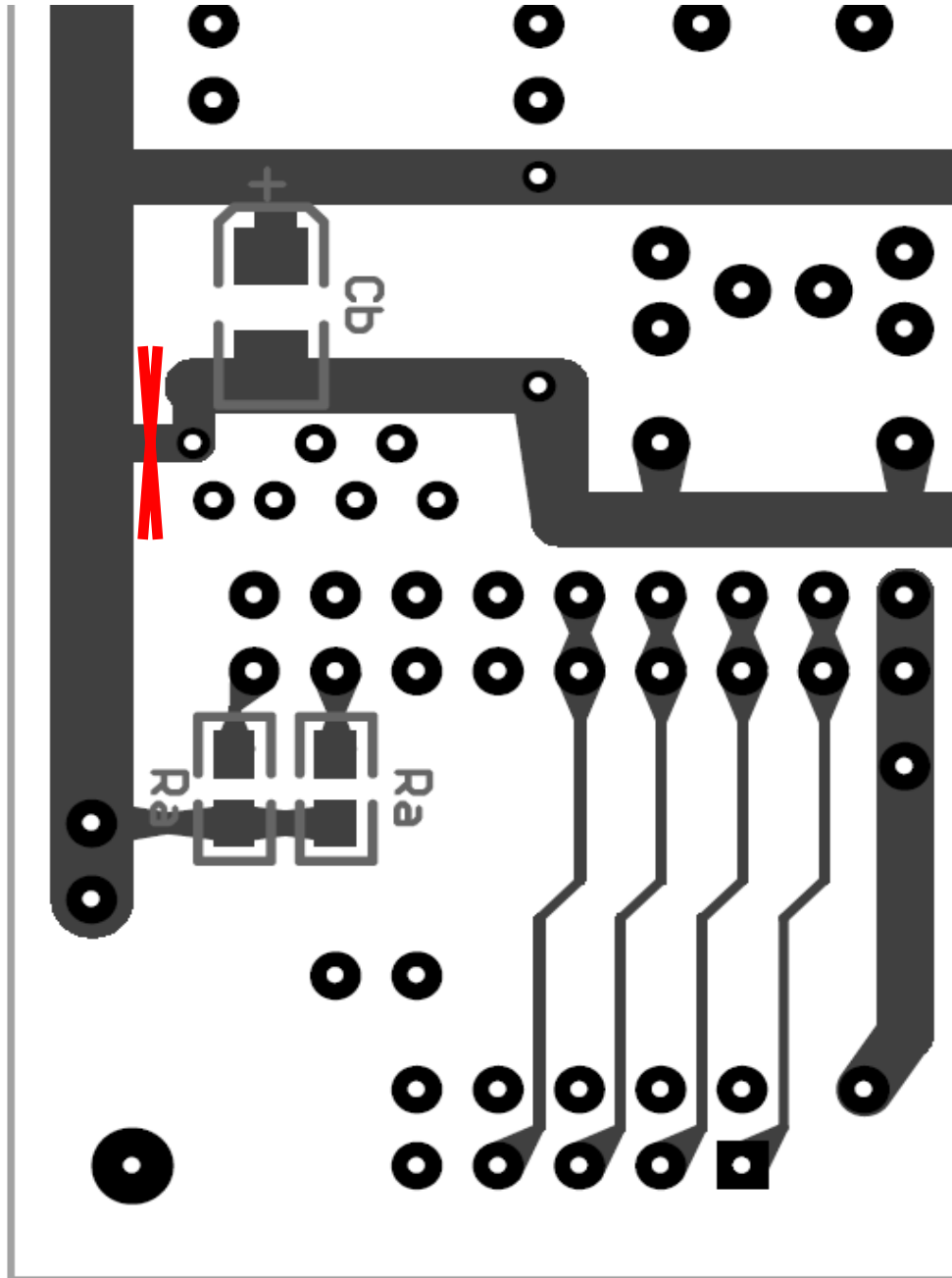


Version 1
Main Board
TOP LAYER



JUMPER

Version 1
Main Board
BOTTOM LAYER

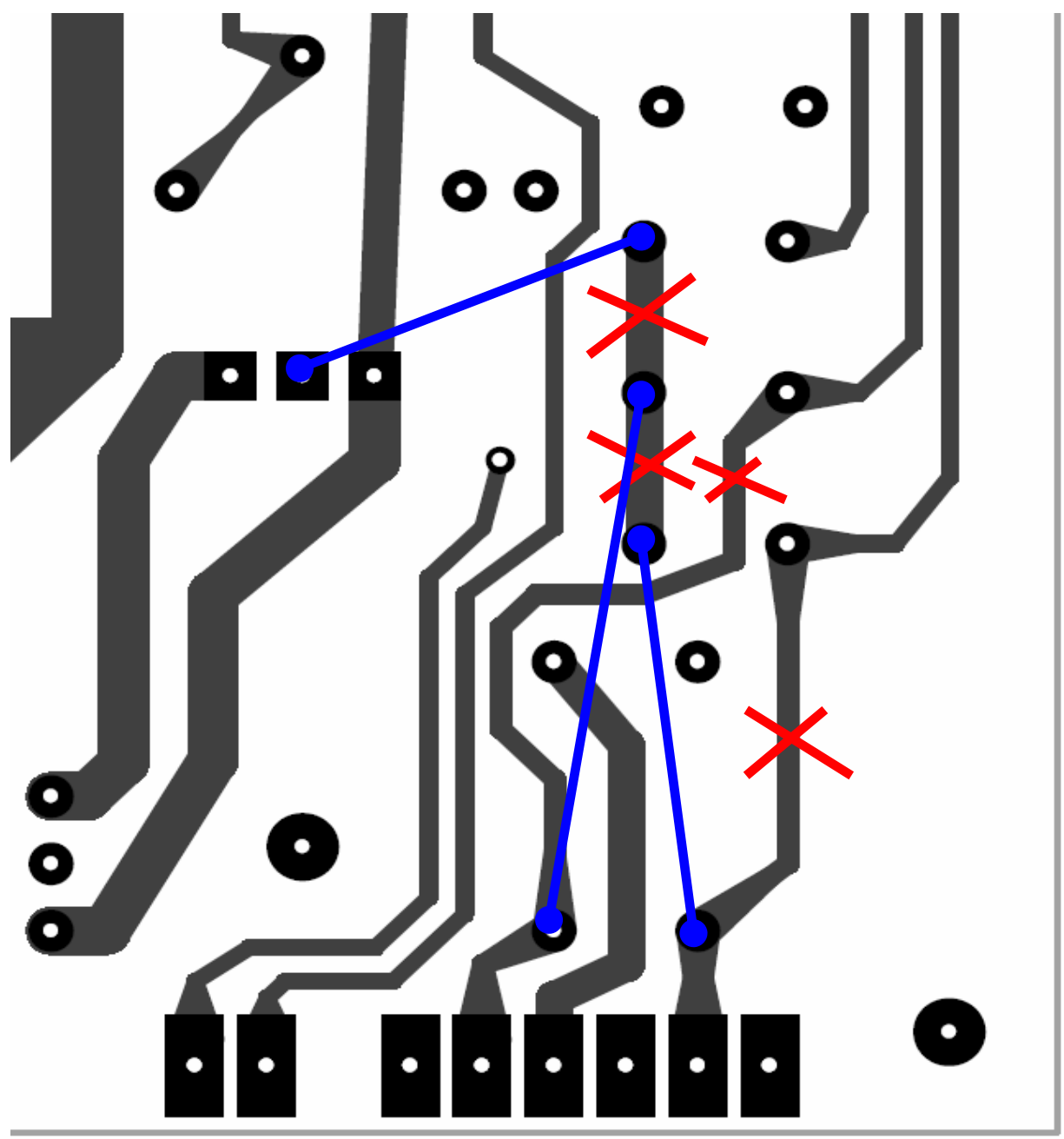


CUT 

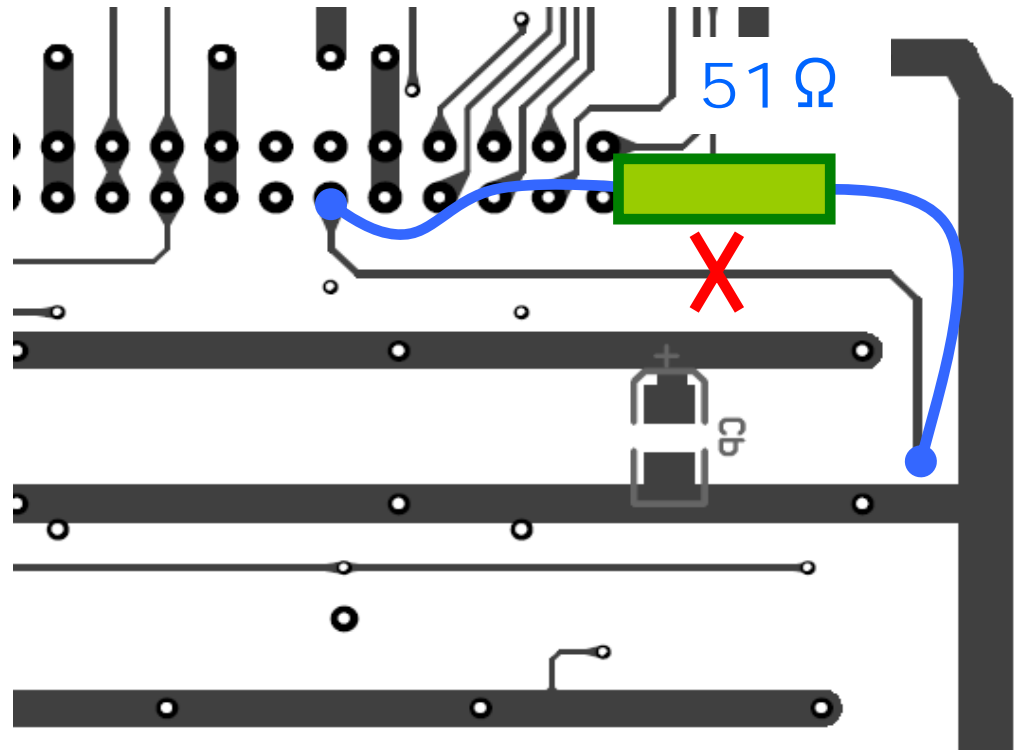
Version 1
Main Board
BOTTOM LAYER

JUMPER 

CUT 



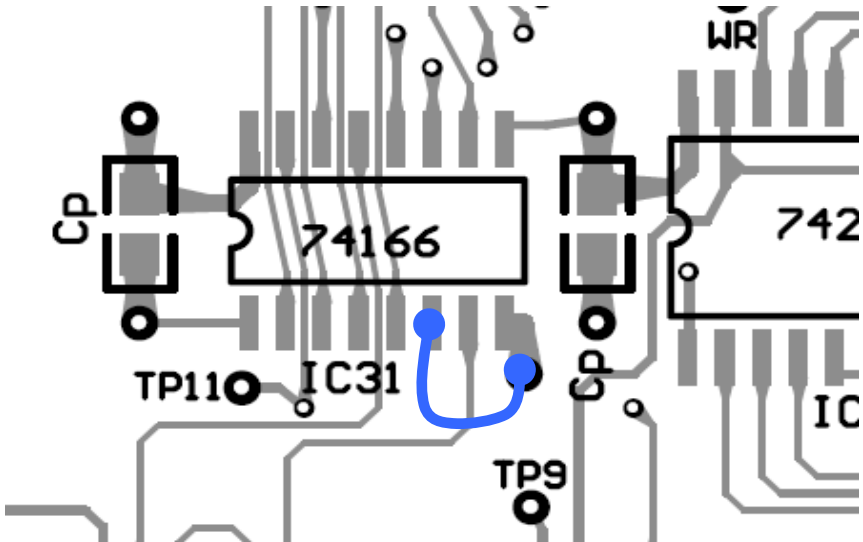
Version 1
Main Board
BOTTOM LAYER



CUT ~~X~~

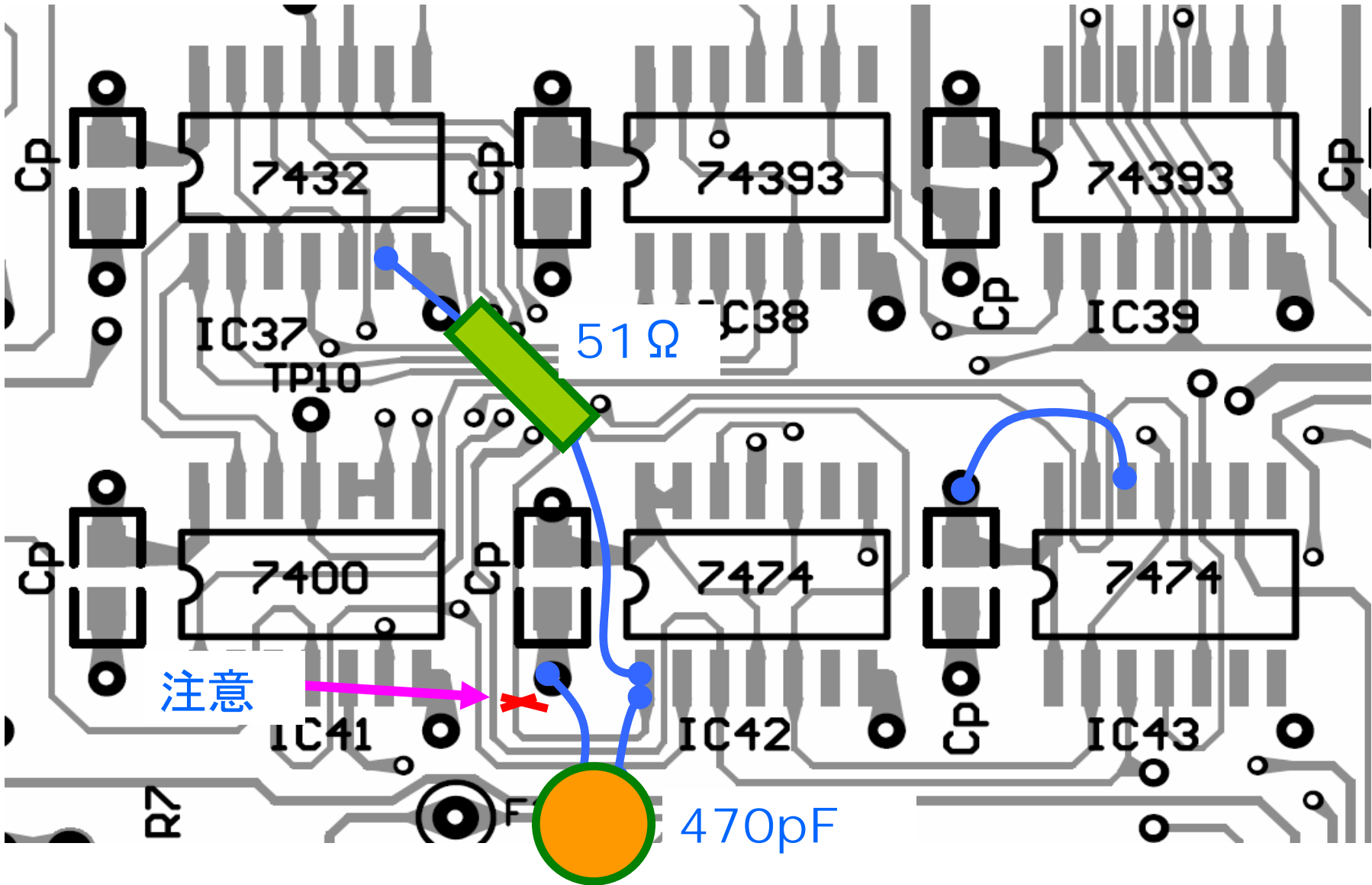
(*)この修正は無くてもよい。

Version 1
Doughter Board
TOP LAYER

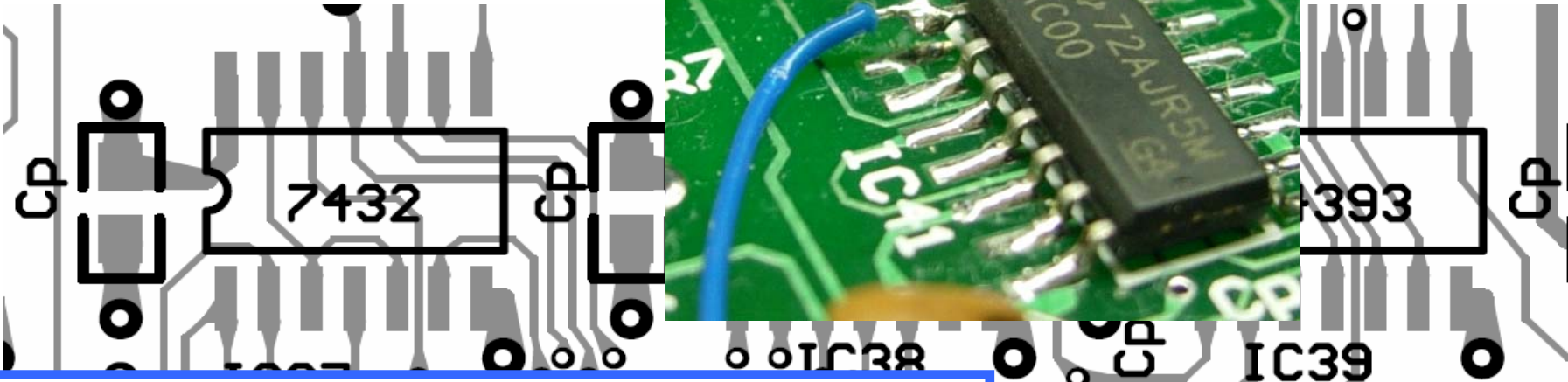
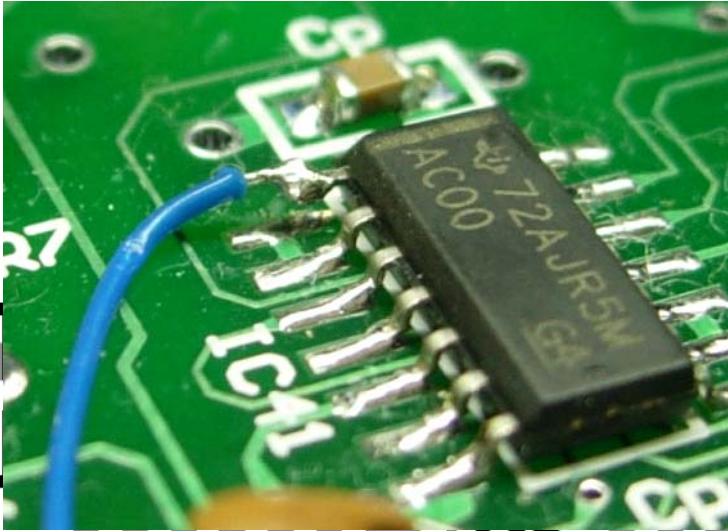


JUMPER

Version 1
Doughter Board
TOP LAYER



Version 1
Doughter Board
TOP LAYER



IC41のPin1はランドに半田付けせず、
直接IC42のPin6へジャンパーする

