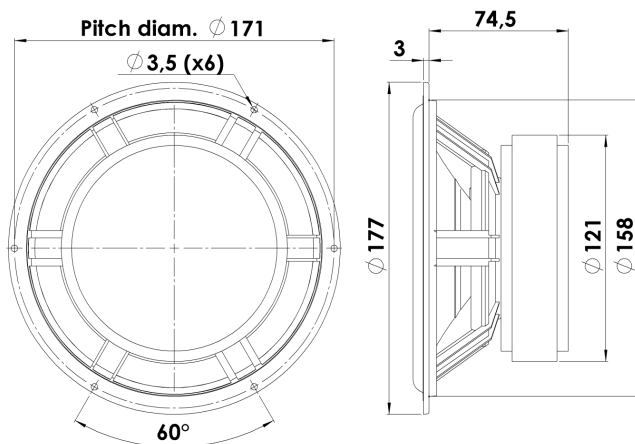




## MIDWOOFER

## 18W/8545-00

The Symmetric Drive (SD-1) concept with copper in the magnet system was invented by Scan-Speak. High-quality magnet system design has thus been a key feature of Scan-Speak design since the companys inception. The Classic woofers are highly praised, and are used in some of the worlds most exceptional high-end Loudspeakers. Some feature Kevlar cones, others have the innovative Carbon fibre paper cones.



### KEY FEATURES:

- Patented Symmetrical Drive Motor Design
- Air Dried Paper/Carbon Fibre Cone
- 42mm Voice Coil w. Alu foil
- Low-Loss linear suspension
- Low Damping SBR Rubber Surround

#### T-S Parameters

Resonance frequency [fs]	28 Hz
Mechanical Q factor [Qms]	2.30
Electrical Q factor [Qes]	0.30
Total Q factor [Qts]	0.27
Force factor [Bl]	8 Tm
Mechanical resistance [Rms]	1.53 kg/s
Moving mass [Mms]	20 g
Suspension compliance [Cms]	1.62 mm/N
Effective diaph. diameter [D]	136 mm
Effective piston area [Sd]	145 cm <sup>2</sup>
Equivalent volume [Vas]	47.6 l
Sensitivity (2.83V/1m)	88 dB
Ratio Bl/√Re	3.41 N/√W
Ratio fs/Qts	106 Hz

#### Notes:

IEC specs. refer to IEC 60268-5 third edition.  
All Scan-Speak products are RoHS compliant.  
Data are subject to change without notice.  
Datasheet updated: February 22, 2011.

#### Electrical Data

Nominal impedance [Zn]	8 Ω
Minimum impedance [Zmin]	6.6 Ω
Maximum impedance [Zo]	47.7 Ω
DC resistance [Re]	5.5 Ω
Voice coil inductance [Le]	0.4 mH

#### Power Handling

100h RMS noise test (IEC 17.1)	100 W
Long-term max power (IEC 17.3)	- W

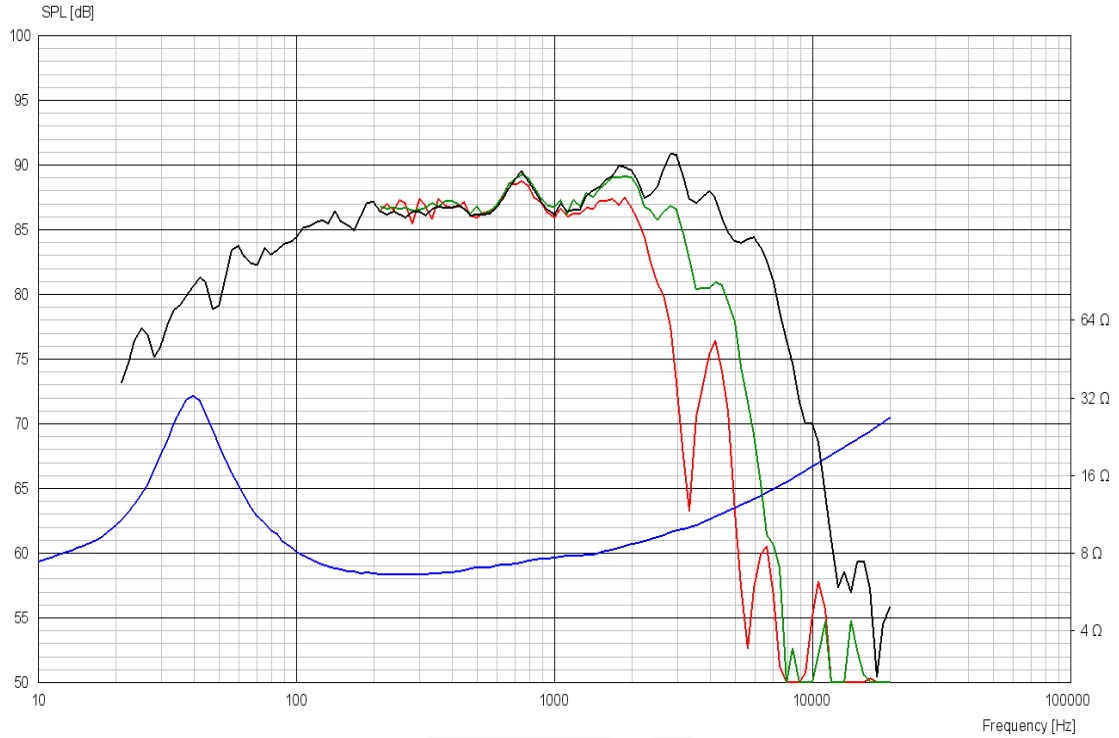
#### Voice Coil and Magnet Data

Voice coil diameter	42 mm
Voice coil height	19 mm
Voice coil layers	2
Height of gap	6 mm
Linear excursion	± 6.5 mm
Max mech. excursion	± 10 mm
Unit weight	2.3 kg



# MIDWOOFER

# 18W/8545-00



## Advanced Parameters (Preliminary)



### Electrical data:

Resistance [Re']	5.65 Ω
Free inductance [Leb]	0.107 mH
Bound inductance [Le]	1.20 mH
Semi-inductance [Ke]	0.0330 SH
Shunt resistance [Rss]	2289 Ω

### Mechanical Data

Force Factor [Bl]	7.55 Tm
Moving mass [Mms]	21.8 g
Compliance [Cms]	1.46 mm/N
Mechanical resistance [Rms]	1.560 kg/s
Admittance [Ams]	0.211 mm/N